

**HYDRAULIC TRAVELLING HEAD
CUTTING MACHINES**
G 1650 G 2080

The machine is suitable for cutting sheets and rolls in single or multiple layers. The high cutting speed and quick motion of cutting head make the machine extremely productive.

Benefits of the machine:

- simple operation and setting
- low noise level
- up-to-date head movement with frequency modulated gear and PLC control

In accordance with safe operation, the actuation elements of the machine are located on the cutting head and the control panel, respectively.

After cutting, the head moves off the knife automatically with adjustable travel which allows faster cutting.

CE - VERSION

Each model can be delivered in CE-version as well. Protection devices are produced in accordance with the stipulations of the Customer's country.

**PROGRAMABLE VERSIONS OF
HYDRAULIC TRAVELLING HEAD
CUTTING MACHINES**
G 1650 F G 2080 F

New technical features:

- Ball lead screw, programable head moving with servomotor, Accuracy: 0.1 mm
- PLC control
- Touch-screen operation panel, programming, language selection.
- Stroke adjustment with incremental transmitter Accuracy, adjusted: 0.1 mm Resolution: 0.0025 mm
- Optical edge sensor
- 750 mm light curtain

CE - VERSION

Each model can be delivered in CE-version as well. Protection devices are produced in accordance with the stipulations of the Customer's country.

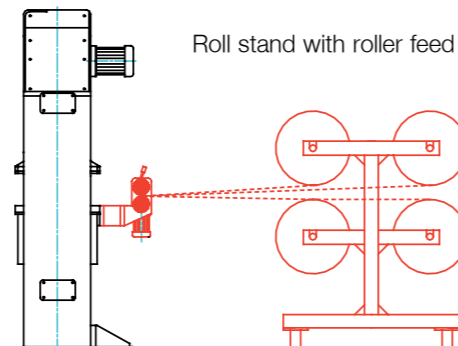
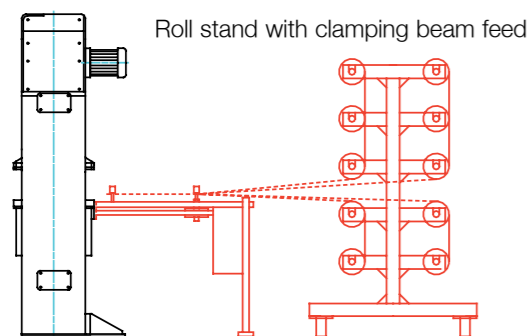


**G 1650 ♦ G 2080
G 1650 F ♦ G 2080 F
HYDRAULIC TRAVELLING HEAD
CUTTING MACHINES**



OPTIONAL ITEMS

– Feed systems for G1650, G2080, G1650F and G2080F series



- Roll holder
- Light curtain
- Oscillating cutting pad shifter
- Die clamping devices
- Customized cutting systems made upon the customer's request and field of application

CALL US TO DISCUSS YOUR DIE CUTTING NEEDS!



INDUSCO – KAEV Co. Ltd.
H-1021 Budapest, Hűvösvölgyi u. 54.
HUNGARY
Tel.: (00 36 1) 322-0487, 479-0098
Fax: (00 36 1) 322-0249
E-mail: kaev@kaev.hu
www.kaev.hu www.induscokaev.com

INDUSCO U.S.A.
3611 KEYSTONE AVENUE
NASHVILLE, TENN. 37211. U.S.A.
Phone: (1) 615-833-0666
Fax: (1) 615-834-8722
E-mail: thoffman@induscousa.com
www.induscousa.com

INDUSCO-KAEV Co. Ltd.

HYDRAULIC TRAVELLING HEAD CUTTING MACHINES

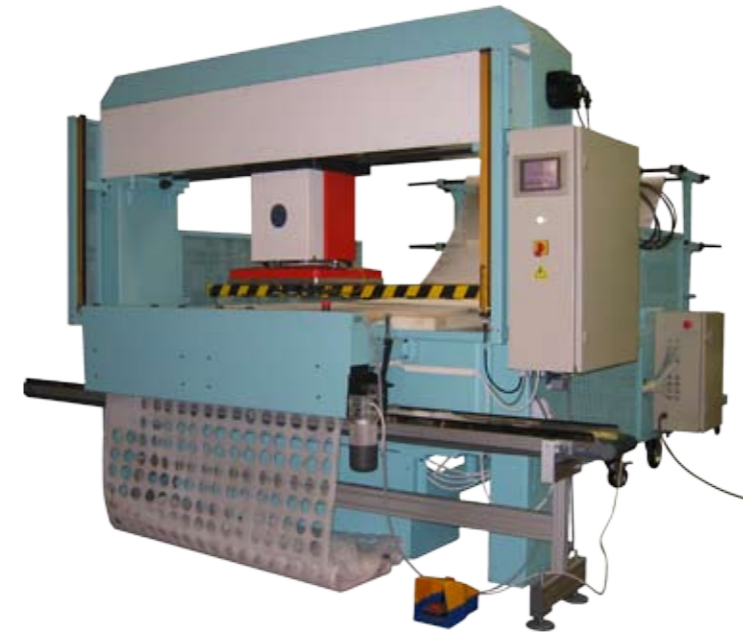
PROGRAMABLE VERSIONS OF HYDRAULIC TRAVELLING HEAD CUTTING MACHINES

SPECIFICATIONS	G 1650 A		F		G 1650 B		F		G 1650 C		F		G 2080		F	
Cutting force	250 kN (25 tons)				300 kn (30 tons)				300 kN (30 tons)				400 kN (40 tons)			
Maximum stroke length	150 mm				150 mm				150 mm				150 mm			
Minimum stroke length	15 mm				15 mm				15 mm				15 mm			
Max. daylight between the table and the cutting head without cutting pad	180 mm				180 mm				200 mm				200 mm			
Cutting speed	90 mm/s				90 mm/s				90 mm/s				78 mm/s			
Dimensions of cutting head	500 x 500 mm				500 x 650 mm				650 x 650 mm				800 x 800 mm			
Speed of cutting head travel	960 mm/s		700 mm/s		960 mm/s		700 mm/s		800 mm/s		600 mm/s		800 mm/s		600 mm/s	
Table dimensions	500 x 1600 mm		500 x 1800 mm		650 x 1600 mm		500 x 1800 mm		650 x 2000 mm				800 x 2000 mm			
Power of pump motor and head moving motor	2,2 + 0,55 kW		2,2 + 0,85 kW		2,2 + 0,55 kW		2,2 + 0,85 kW		2,2+0,75 kW		2,2 + 1,2 kW		4,0 + 0,75 kW		2,2 + 1,2 kW	
Mains voltage	3 x 400 / 230 V, 50 / 60 Hz				3 x 400 / 230 V, 50 / 60 Hz				3 x 400 / 230 V, 50 / 60 Hz				3 x 400 / 230 V, 50 / 60 Hz			
Protection of control box	IP 31				IP 31				IP 31				IP 31			
Control voltage	24 V				24 V				24 V				24 V			
Dimensions of the machine height x width x depth	2270 x 2100 x800 mm				2270 x 2100 x800 mm				2400 x 2500 x800 mm				2400 x 2500 x900 mm			
Machine weight	1400 kg		1800 kg		1600 kg		2000 kg		2000 kg				2800 kg			

Specifications are subject to change without notice



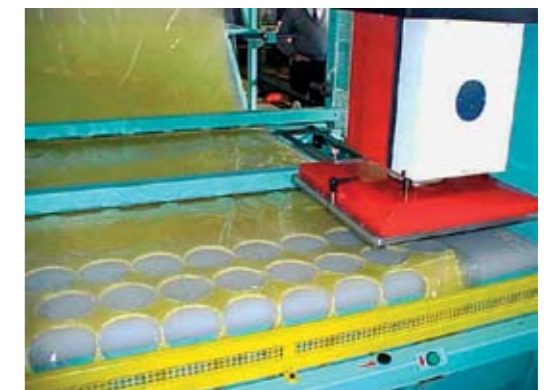
**G 1650 AF
TOUCH SCREEN**



G 1650 A



**G 1650 AF
WITH ROLL STAND AND FEEDER**



**G 1650 AF
NESTING PATTERN**